

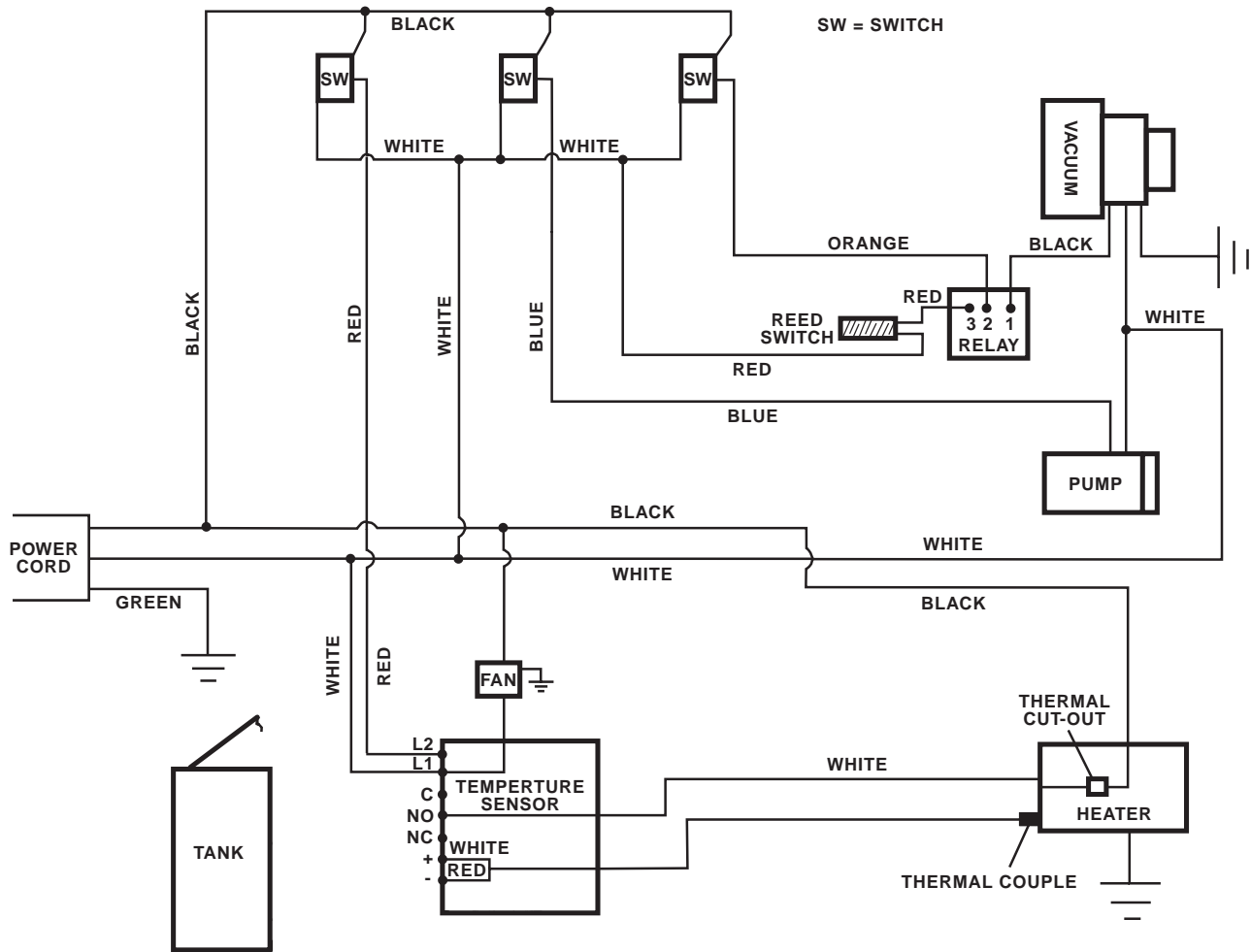
XLT-60
120 VAC

4/16/97

XLT-60 120V PARTS LIST

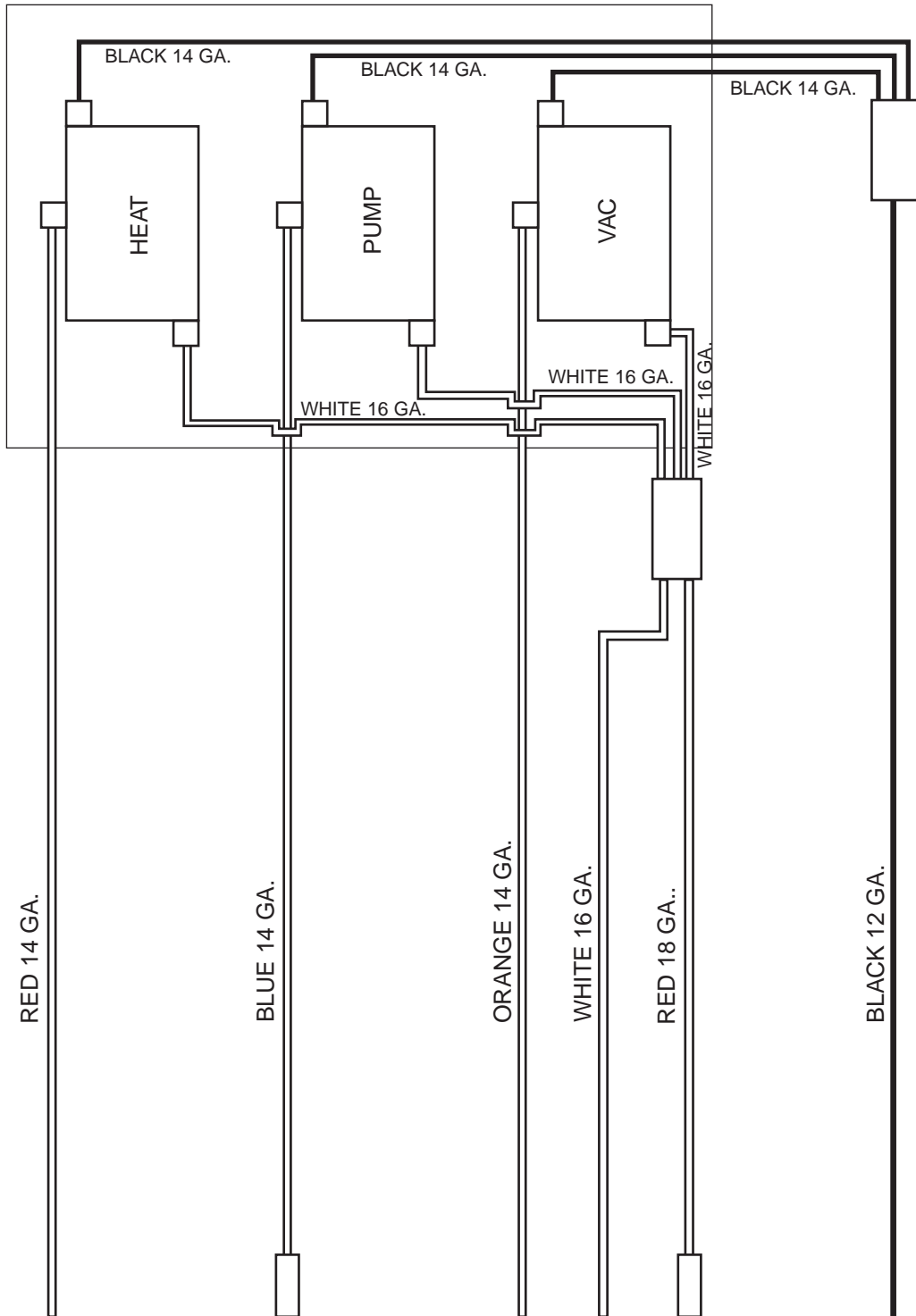
<u>ITEM #</u>	<u>PART #</u>	<u>DESCRIPTION</u>	<u>ITEM #</u>	<u>PART #</u>	<u>DESCRIPTION</u>
#1	2055	Vacuum Dome	#22	156	Hose Clamp, 2 1/4"
#2	439	Dome Gasket	#23	FP163	Exhaust Hose
#3	420	Bucket Handle	#24	408	Vacuum Motor (+FP223C)
#4	432	Recovery Bucket	#25	428	Castor Plate
#4A	FP147	Lift Out Bucket, Complete	#25A	FP137	Castor Plate, Complete
#5	421	Float Rod	#26	8	Nut, 1/4", Nylock
#6	FP184	Float Assembly	#27	413-1	Heat Board (120 & 240V)
#7	2056	Switch Plate	#27B	16	Nut, Nylock
#7A	28	Screw	#28	429	Heat Sink Plate
#8	48	Switch	#29	86	Grommet
#9	HTXLT-G	Solution Tank	#30	440	Exhaust Flange
#9A	2058	Lid, Solution Tank	#31	451	Exhaust Filter, 4"
#9B	33	Screw	#32	419	Gasket, Vacuum Motor
#9C	17	Lock Nut	#33	409A	Relay, Vacuum (120V)
#10	207	Pump Inlet Filter	#34	138	Bolt, 1/4" X 1 1/4"
#10A	21	Screw	#35	FP138A	Heat Exchanger, Complete
#10B	2059	Cable, 6"	#36	455	Heat Exchanger Mount
#11	164	Hose Barb	#37	103	Elbow, 1/8" Pipe, Male
#12	19	Screw, Twist-Lock	#38	105	Reducer Nipple 1/4" X 1/8" Pipe Thread
#13	450	Twist-Lock	#39	115	Washer, Fiber
#13A	123	Reed Switch	#40	116	Ring Washer
#14	424	Handle	#41	418	Castor
#15	431	Vacuum Chamber	#42	29	Screw
#16	ULT-GRY	Body (gray)	#43	208	Hose Barb
#17	928	3" Louver (includes screws)	#44	2054	Pump, 60PSI
#18	45	Quick Disconnect, Male, 1/4" P.T.	#45	166	Hose Clamp
#19	410	Fan Guard	#46	FP166B	Hose, Pump to Heat Exchanger
#19A	2B	Screws (Fan) 6/32" X 2", Stainless Steel	#47	FP169A	Hose, Pump Inlet
#20	412	Cooling Fan (120V)	#48	108	Hose Barb/Elbow, Polyprop. (black)
#21	459	Louver , 2 1/2" (includes screws)	#48A	108A	Hose Barb/Elbow, Nylon (white)

XLT-60 WIRING DIAGRAM 100 & 120V



1/29/97

XLT-60 SWITCH PLATE 120 & 240 V



4/23/97